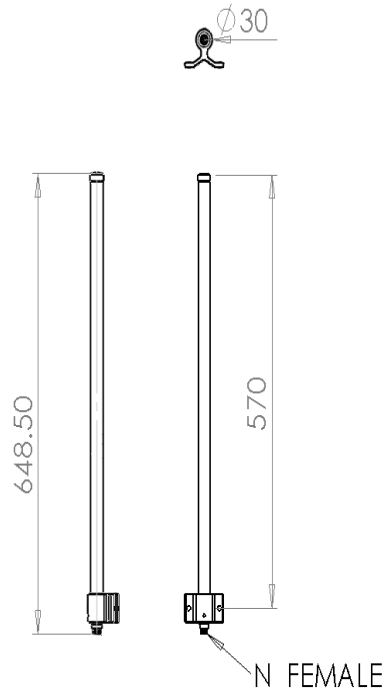




# SPECIFICATION

**Model No.:** ANT09-0502PC  
**Description :** 860~960MHz OMNI ANTENNA  
**Date :** 2007/01/03  
**Rev :** 1

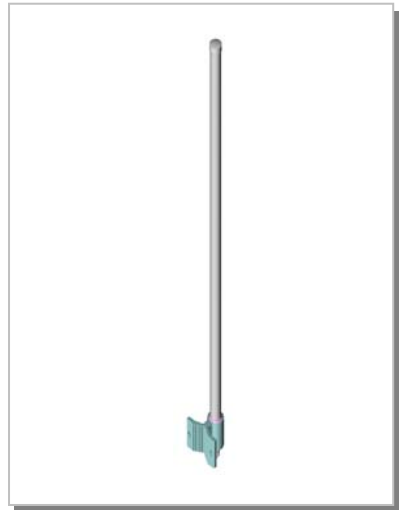


**Electrical Specifications:**

Frequency Range :	860~960MHz
VSWR :	≤ 2.0
Impedance :	50Ω ± 5Ω
Forward Gain :	5dBi
Polarization :	Vertical
Power Handling :	10 Watt
BEAM WIDTH :	H: 360° / E: 19.5°

**Mechanical Specifications:**

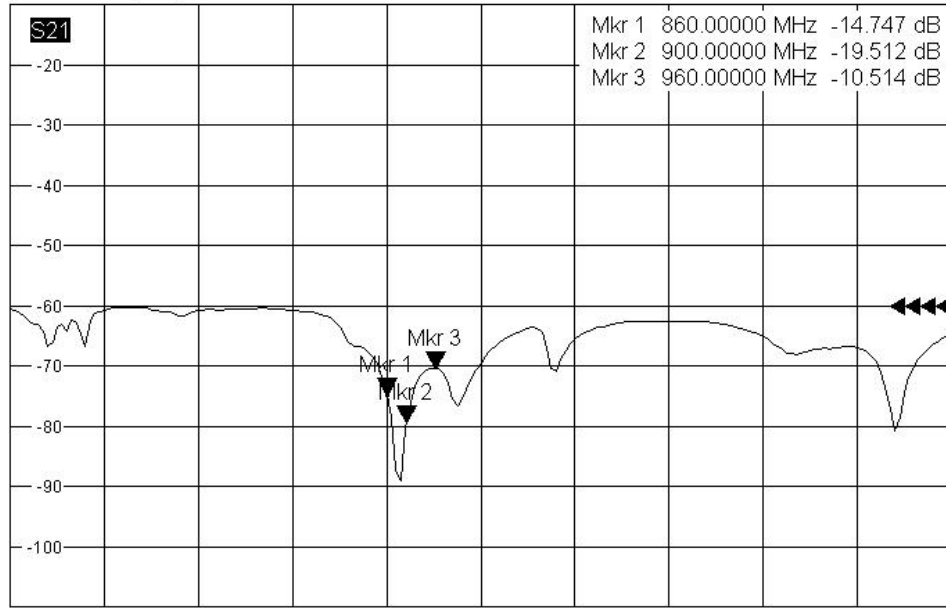
Connector :	N Female
Operation Temp :	-30°C ~ +60°C
Material :	Radome: Fiberglass Base: Aluminum Alloy Mount: Aluminum
Dimension (L*W*H) :	Ø30*570 mm
Weight :	304g ± 20g





Trc1	S11	dB Mag	10 dB / Ref 0 dB	Cal
Trc2	S21	dB Mag	10 dB / Ref -60 dB	Invisible
Mem3[Trc2]	S21	dB Mag	10 dB / Ref -60 dB	Invisible
Mem4[Trc1]	S11	dB Mag	10 dB / Ref 0 dB	Invisible

1



Ch1 Center 1.05 GHz Pwr 0 dBm Span 1.9 GHz

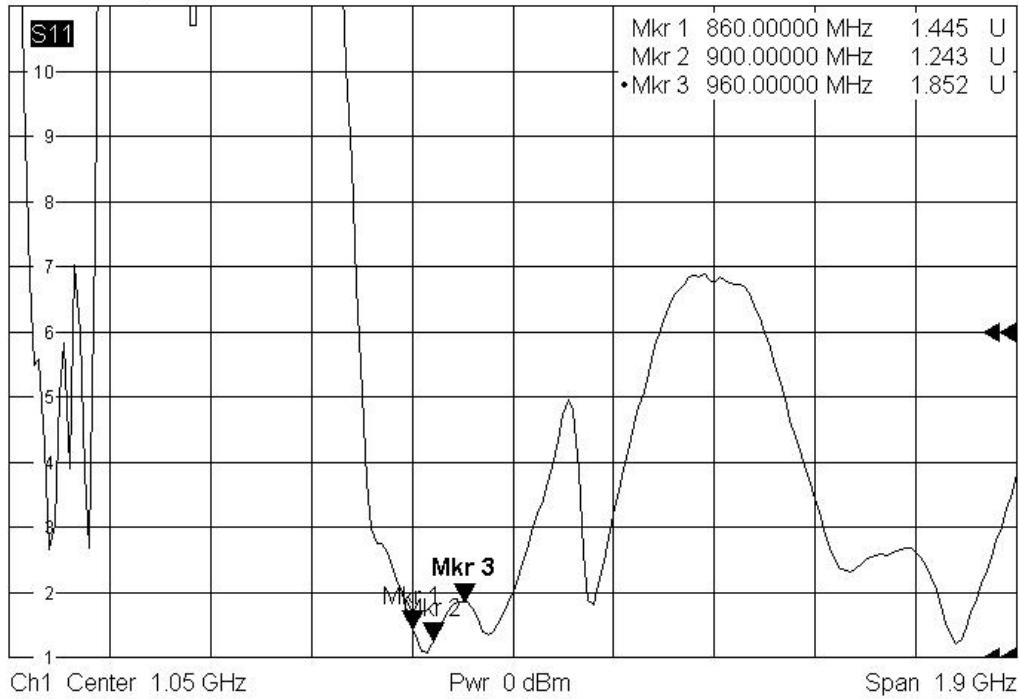
12/15/2006, 12:51 PM



# SWR



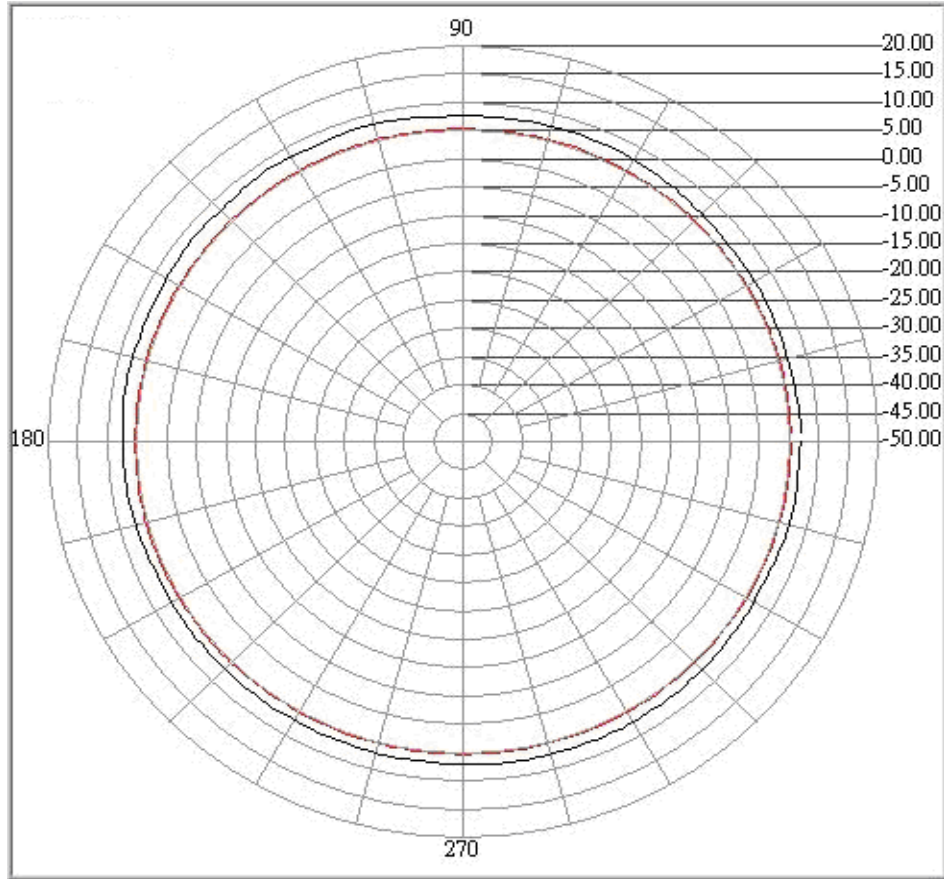
Trc1 S11 SWR 1 U / Ref 1 U Cal  
Trc2 S21 dB Mag 10 dB / Ref -60 dB Invisible  
Mem3[Trc2] S21 dB Mag 10 dB / Ref -60 dB Invisible  
Mem4[Trc1] S11 SWR 1 U / Ref 1 U Invisible



12/15/2006, 12:52 PM



**H-PLANE**





**E-PLANE**

