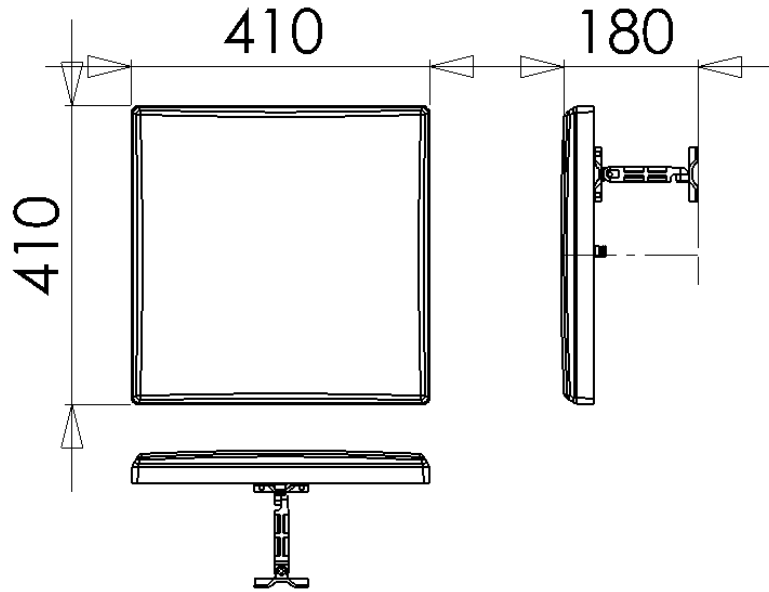




SPECIFICATION

Model No. : ANT09-1200PC
Description : 860~960MHz PANEL ANTENNA
Date : 2008/10/08
Rev : 1



Electrical Specifications:

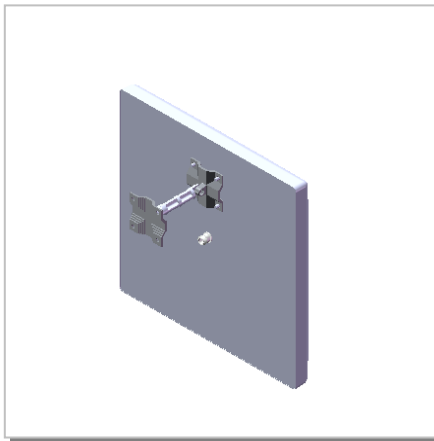
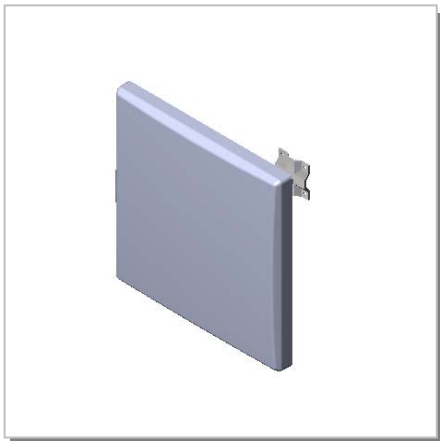
Frequency Range :	860~960MHz
VSWR :	≤ 2.0
Impedance :	$50\Omega \pm 5\Omega$
Gain :	12 dBi
Polarization :	Vertical
Power Handling :	10 Watt
Beam Width :	H: 42.1 / E: 38.1

Mechanical Specifications:

Connector :	N Female
Operation Temp. :	$-30^{\circ}\text{C} \sim +60^{\circ}\text{C}$
Material :	Radome: ABS Mount: Zinc Alloy
Dimension (L*W*H) :	410*410*180 mm
Weight :	$1350\text{g} \pm 20\text{g}$ (w/ mount)
Color :	COOL GRAY 5C



3D Illustration

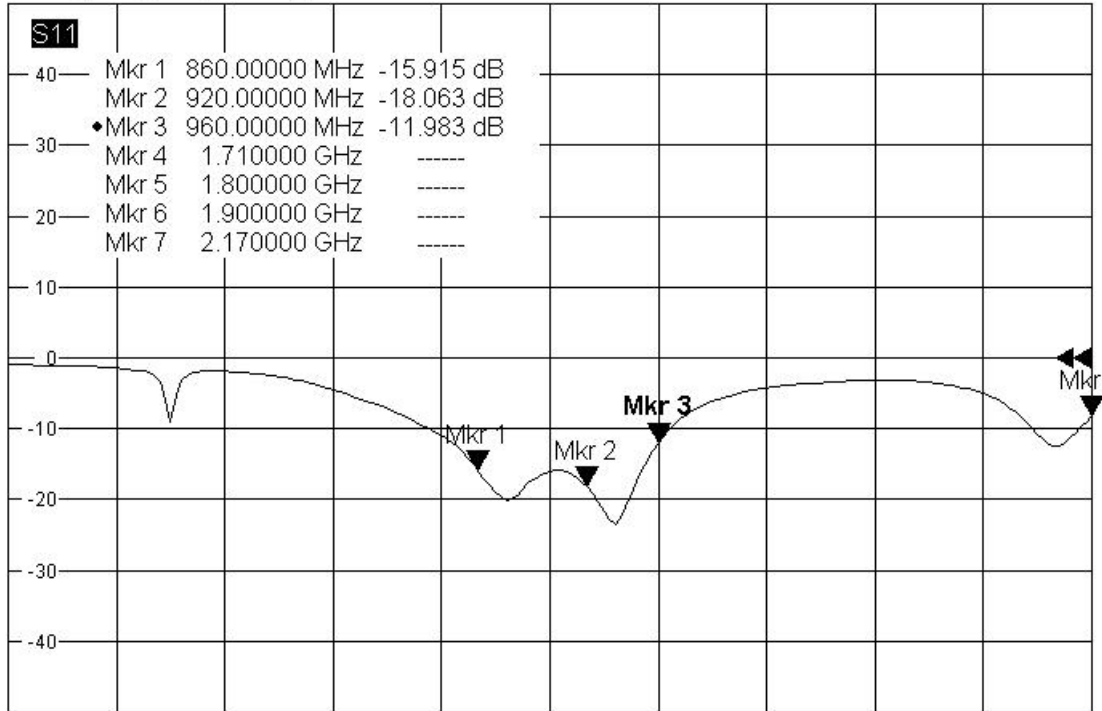




RETURN LOSS



Trc1 S11 dB Mag 10 dB / Ref 0 dB Cal int 1
Mem3[Trc1] S11 dB Mag 10 dB / Ref 0 dB Invisible



Ch1 Start 600 MHz Pwr 10 dBm Stop 1.2 GHz
7/4/2008, 9:26 AM

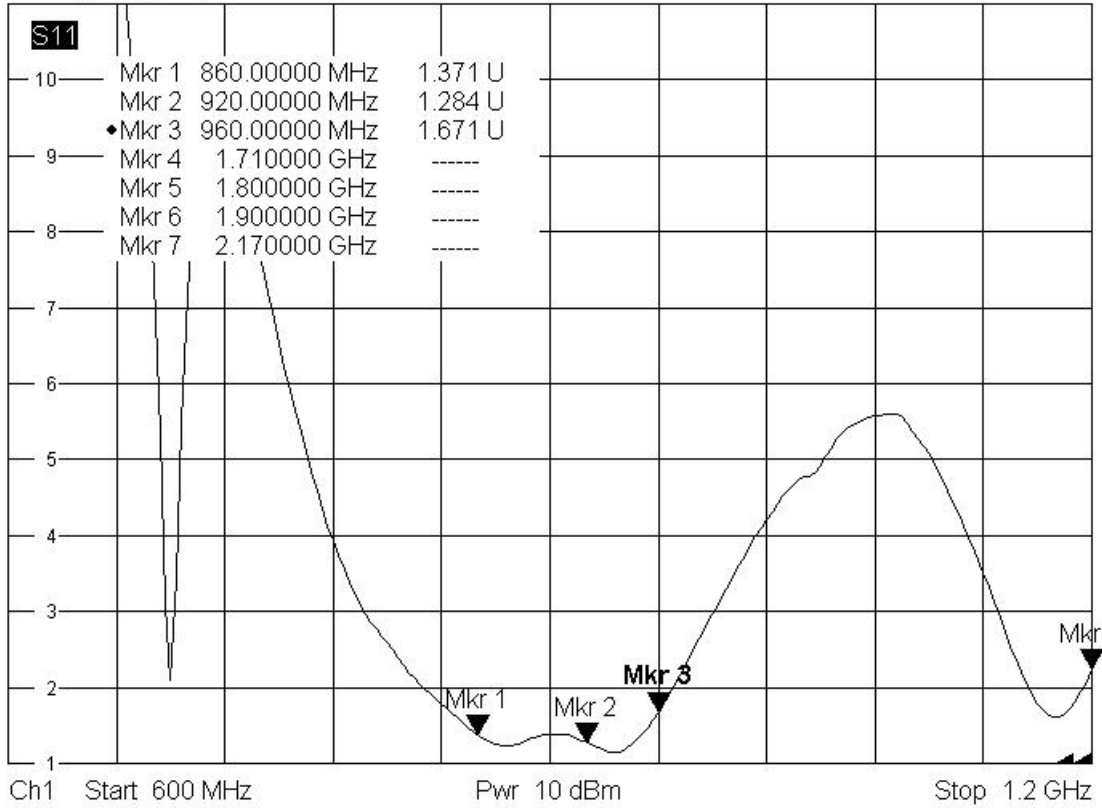


SWR



Trc1 S11 SWR 1 U / Ref 1 U Cal int
Mem3[Trc1] S11 SWR 1 U / Ref 1 U Invisible

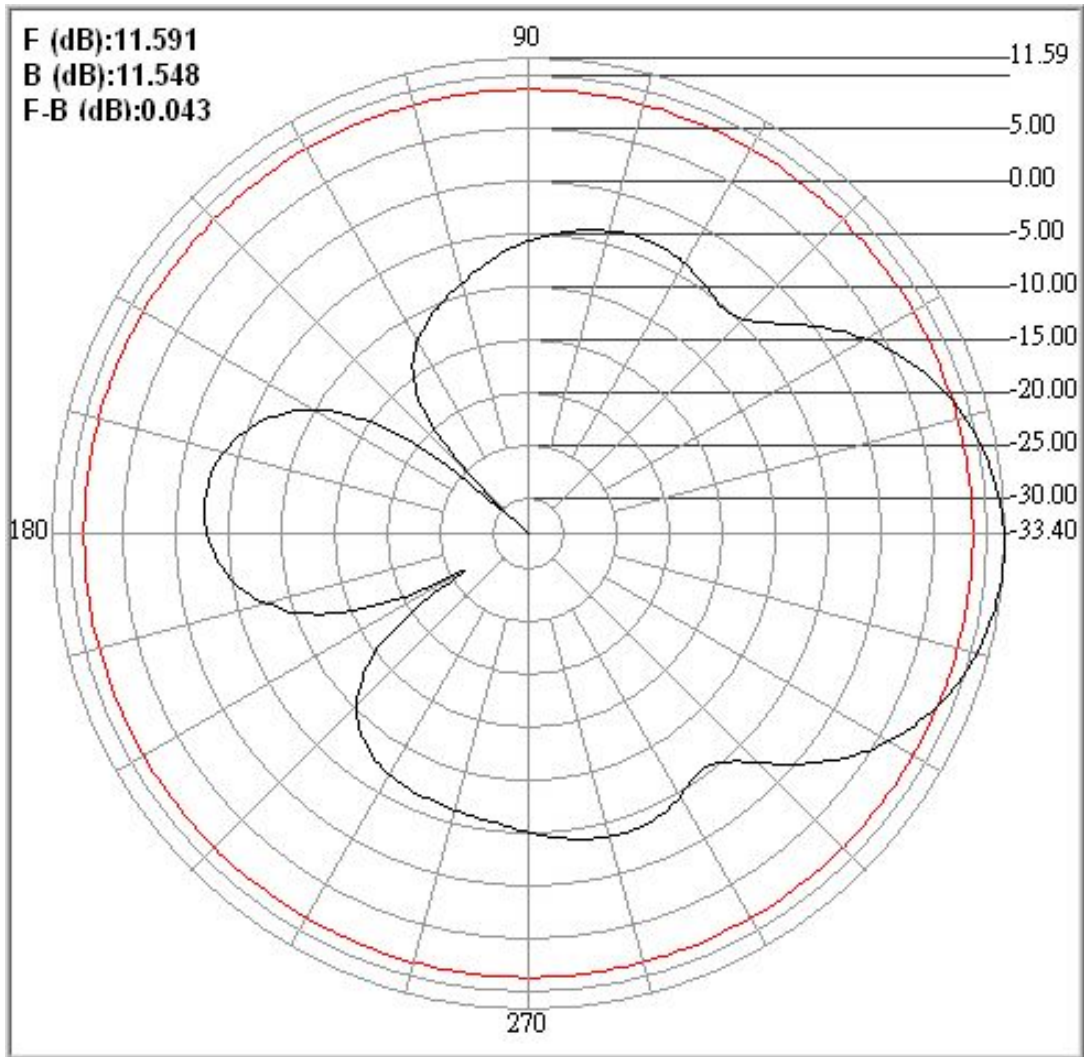
1



7/4/2008, 9:27 AM



H-PLANE





E-PLANE

