



DATA SHEET

Model No. : ANT24-0814PC
Description : 2.4~2.5 GHz DUAL POLARIZATION
SECTOR ANTENNA
Date : 2013/02/25
Rev : 1

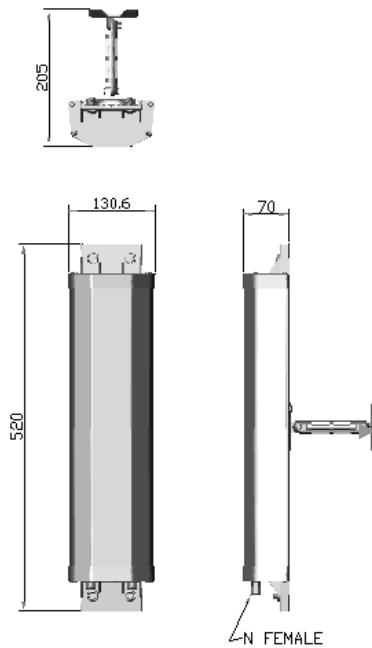
1/3

Fly to Anywhere™

FORMOSA
Wireless Systems Corp.



1. OVERVIEW & SPECIFICATIONS



Electrical Specifications:

Frequency Range :	Vertical: 2.4~2.5 GHz Horizontal: 2.4~2.5 GHz
VSWR :	≤ 2.0
Impedance :	$50\Omega \pm 5\Omega$
Gain :	8 dBi / 8 dBi
Polarization :	Vertical / Horizontal
Power Handling :	10 Watt
HPBW / horizontal	60°
HPBW / vertical	33°
Isolation	22 dB

Mechanical Specifications:

Connector :	N Female x2
Operation Temp. :	$-30^\circ\text{C} \sim +60^\circ\text{C}$
Material :	Radome: ABS Mount: Zinc Alloy & Aluminium Alloy 180°
Dimension (L*W*H) :	520*130.6*70 mm
Weight :	$1220\text{g} \pm 20\text{g}$ (w/ mount)
Color :	Cool Gray 1C

2/3

Fly to Anywhere™

FORMOSA
Wireless Systems Corp.



3D Illustration

