

# High Gain Panel Directional Antenna for 2.4 GHz

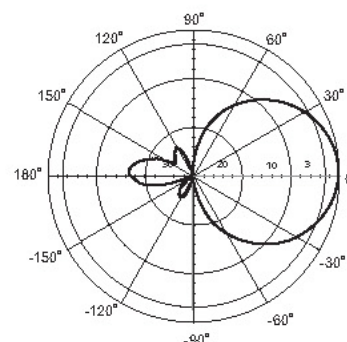
Preliminary

0.2

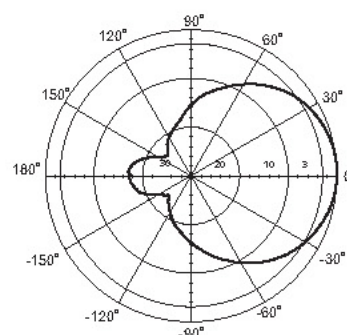
## ANT24-0900

### Electrical Specification

Frequency range	2400 MHz - 2500 MHz
Gain	8.5 dBi
VSWR	1.5 : 1 Max.
Polarization	Linear, vertical
HPBW / horizontal	67°
HPBW / vertical	62°
Front to back ratio	15 dB
Downtilt	0°
Power handling	20W (cw)
Impedance	50 Ohms
Connector	N -Jack female



Vertical



Horizontal

### Environmental & Mechanical Characteristics

Survival wind speed	216 km/hr
Temperature	- 40° C to +80° C
Humidity	95% @ 25° C
Lightning protection	DC ground
Radome color	Gray-white
Radome material	ABS
Weight	0.7 kgw
Dimensions	114 x 114 x 39.7 mm

