

for 2.4 GHz

ANT24-1400N

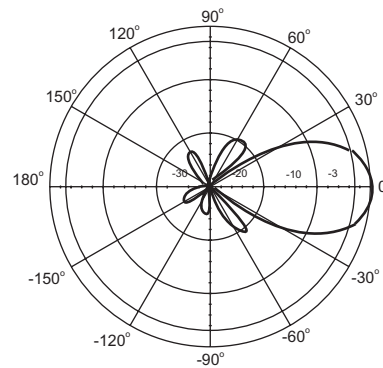
Electrical Specification

Frequency range	2400 MHz - 2500 MHz
Gain	14 dBi
VSWR	1.5 : 1 Max.
Polarization	Linear, vertical
HPBW / horizontal	30°
HPBW / vertical	30°
Front to back ratio	15 dB
Downtilt	0°
Power handling	50W (cw)
Impedance	50 Ohms
Connector	N female

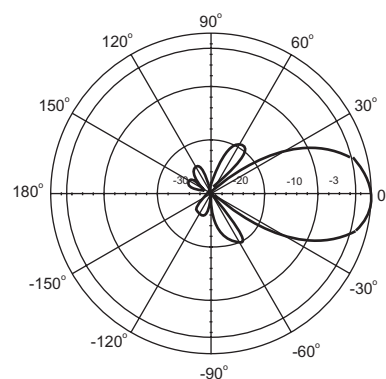


Environmental & Mechanical Characteristics

Survival wind speed	216 km/hr
Temperature	- 40° C to +80° C
Humidity	95% @ 25° C
Lightning protection	DC ground
Radome color	Gray-white / Black
Radome material	ABS
Weight	407 gw
Dimensions	200 x 200 x 50 mm



Vertical



Horizontal

