

Dual-Band Omni-Directional Antenna for 2.4 / 5 GHz

Version 2

ANT50-D0802

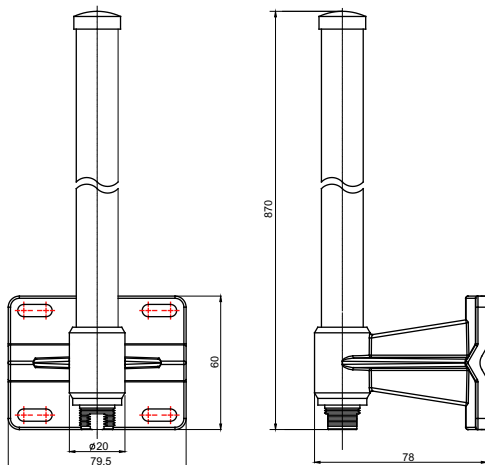
Electrical Specification

Frequency range	2400 MHz - 2500 MHz	4900 MHz - 5900 MHz
Gain	8 dBi	7-8 dBi
VSWR	2.0 : 1 Max.	
HPBW / horizontal	360°	
HPBW / vertical	15°	
Polarization	Linear, vertical	
Power handling	5 W (cw)	
Impedance	50 Ohms	
Connector	N Jack	

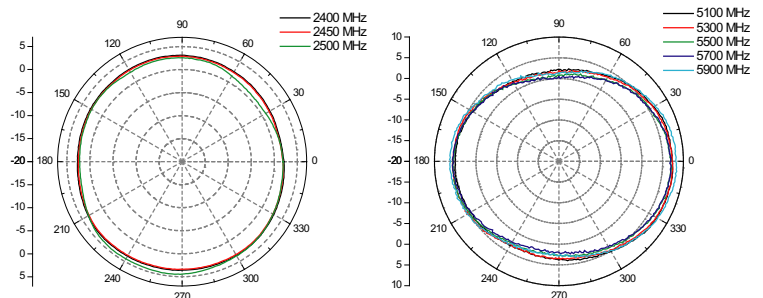


Environmental & Mechanical Characteristics

Survival wind speed	216 km/hr
Temperature	- 40°C to +70°C
Humidity	95% @ 55° C
Radome color	Gray
Radome material	ABS, UV resistant
Weight	350g
Dimensions	80 x 78 x 870 mm



H-plane Co-polarization Pattern



V-plane Co-polarization Pattern

