

# High-Gain Panel Directional Antenna for 2.4 / 4.9 / 5.25 / 5.6 / 5.8 GHz

Preliminary

0.2

## ANT50-D1100

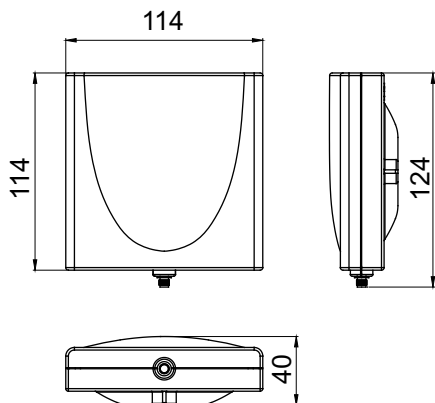
### Electrical Specification

Frequency range	2400 MHz - 2500 MHz	4900 MHz - 5875 MHz
Gain	8.5 dBi	10.5 dBi
VSWR	2.0 : 1 Max.	2.0 : 1 Max.
Polarization	Linear, vertical	Linear, vertical
HPBW / vertical	55°	45°
HPBW / horizontal	58°	45°
Front to back ratio	15 dB	
Downtilt	0°	
Power handling	10 W (cw)	
Impedance	50 Ohms	
Connector	SMA Jack	

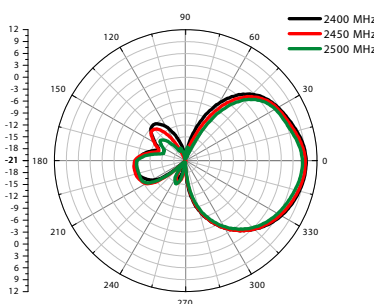


### Environmental & Mechanical Characteristics

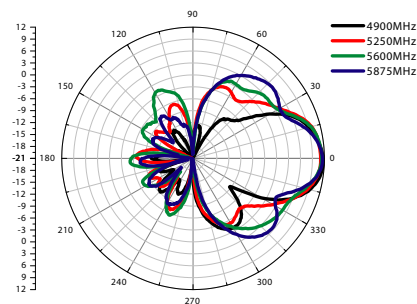
Temperature	- 40°C to +80°C
Humidity	95% @ 25°C
Radome color	Gray
Radome material	ABS ,UV resistant
Weight	120 gw
Dimensions	114 x 124 x 40 mm



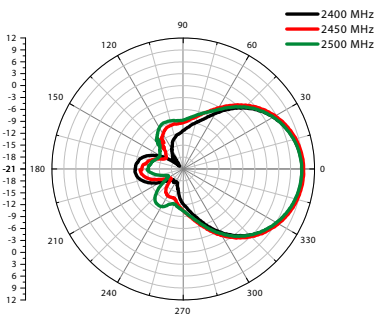
V-Plane Co-polarization Pattern



V-Plane Co-polarization Pattern



H-Plane Co-polarization Pattern



H-Plane Co-polarization Pattern

