



# DATA SHEET

**Model No. :** ANT58-1214PC  
**Description :** 5.1~5.9 GHz DUAL POLARIZATION  
SECTOR ANTENNA  
**Date :** 2013/03/01  
**Rev :** 1

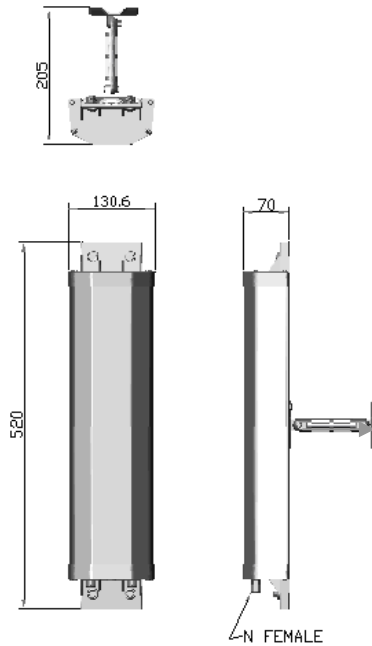
1/3

*Fly to Anywhere™*

**FORMOSA**  
Wireless Systems Corp.



# 1. OVERVIEW & SPECIFICATIONS



## Electrical Specifications:

Frequency Range :	Vertical: 5.1~5.9 GHz Horizontal: 5.1~5.9 GHz
VSWR :	≤ 2.0
Impedance :	50Ω ± 5Ω
Gain :	12 dBi / 12 dBi
Polarization :	Vertical / Horizontal
Power Handling :	10 Watt
HPBW / horizontal	60°
HPBW / vertical	16°
Isolation	21 dB

## Mechanical Specifications:

Connector :	N Female x2
Operation Temp. :	-30°C ~ +60°C
Material :	Radome: ABS Mount: Zinc Alloy & Alumimium Alloy 180°
Dimension (L*W*H) :	520*130.6*70 mm
Weight :	1220g ± 20g (w/ mount)
Color :	Cool Gray 1C



**3D Illustration**

