

DATA SHEET

Model No. : ANT58-1514PC

Description : 5.2~5.8 GHz DUAL POLARIZATION
SECTOR ANTENNA

Date : 2013/05/03

Rev : 1

OVERVIEW & SPECIFICATIONS



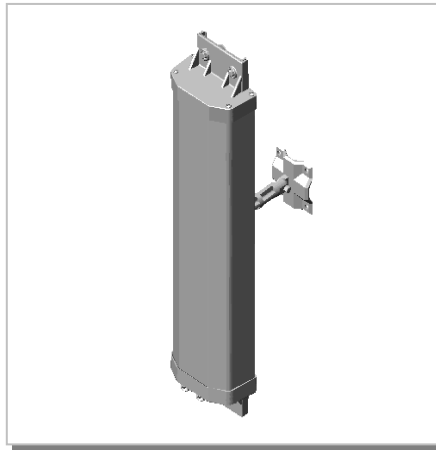
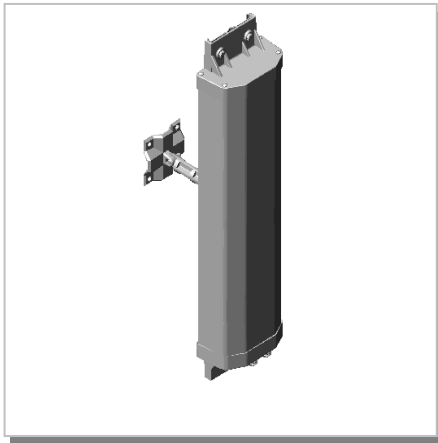
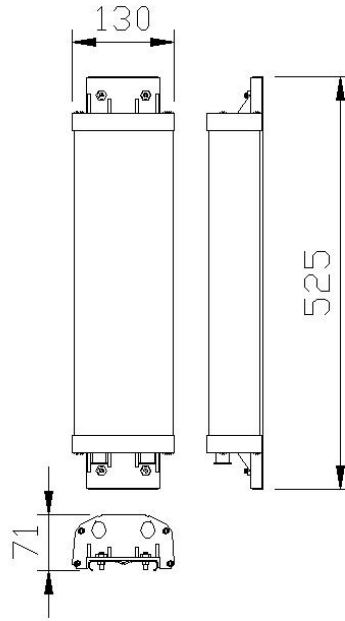
Electrical Specifications:

Frequency Range	5200~5800MHz
VSWR	≤ 2.0
Gain	15 dBi
Impedance	50Ω
Polarization	45° -45°
Beamwidth	
45° Plane	5200MHz 91° 5800MHz 62°
- 45° Plane	5200MHz 93° 5800MHz 64°
Max. Power	10 Watt
Isolation	≤ 20

Mechanical Specifications:

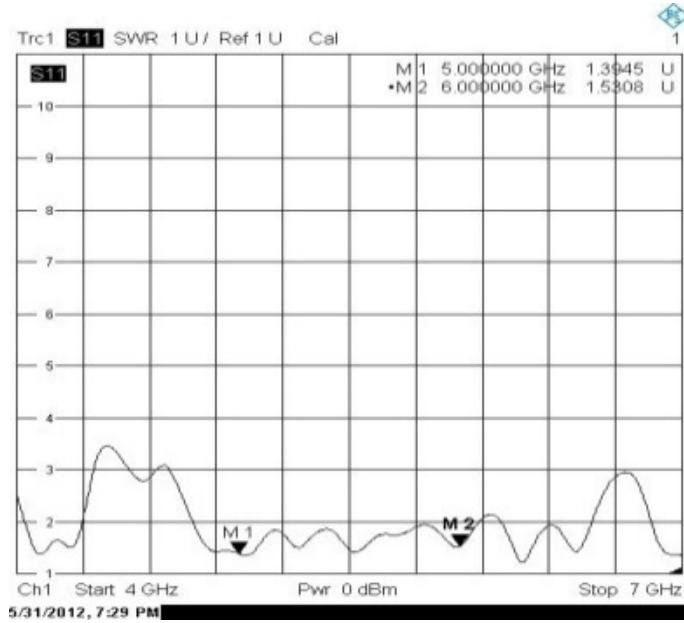
Connector	N Female
Cable	
Operation Temp.	-30°C ~ +60°C
Material-Radome	ABS
Dimension (L*W*H)	525*130*71mm
Weight	1082g ± 10g (w/o mount)
RoHS compliant	Yes

3D Illustration

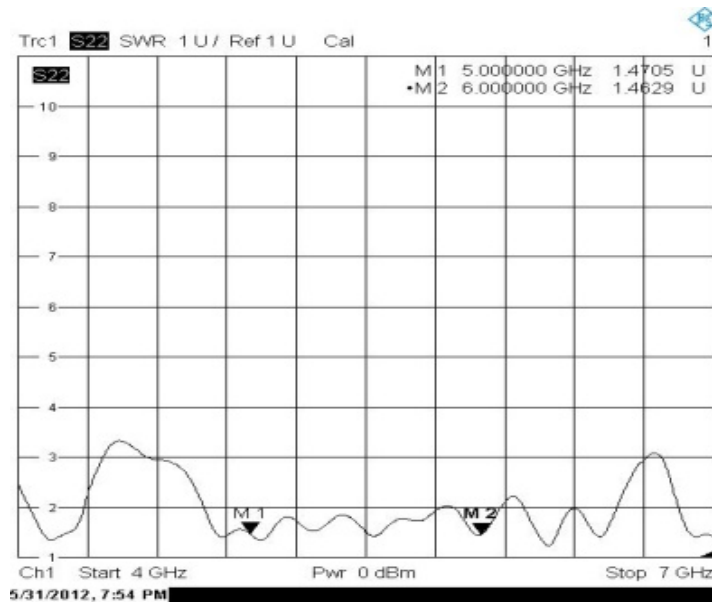


VSWR

Vertical

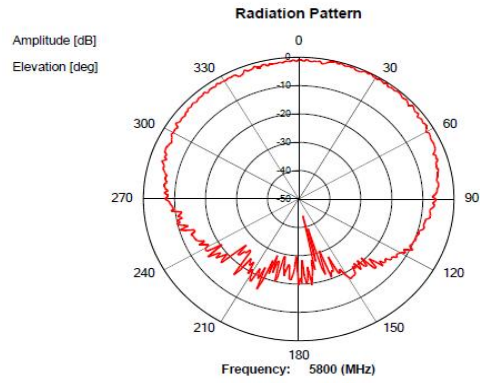
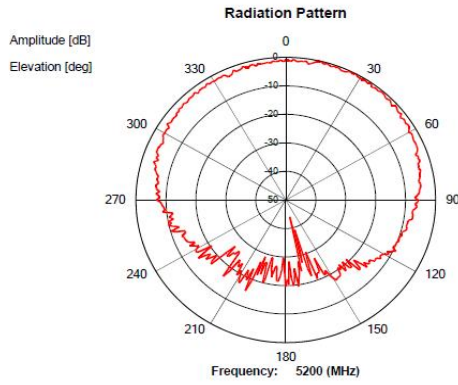


Horizontal

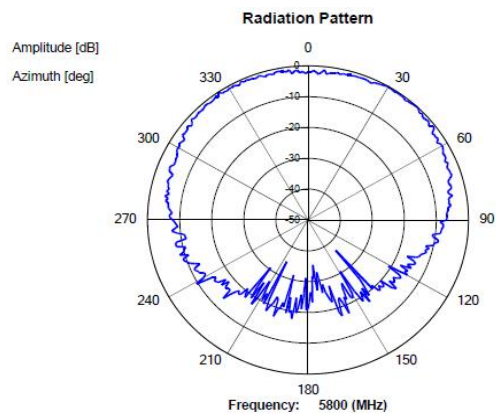
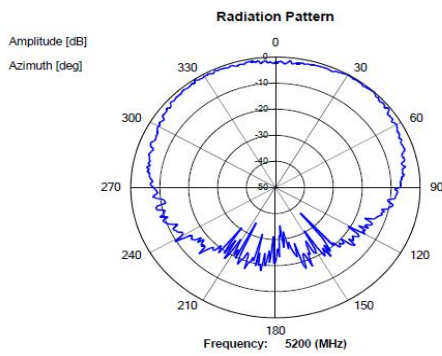


Radiation Pattern

45°. Plane



-45°. Plane



ISOLATION

